

Stanley Park High School  
Carshalton, UK



## Specifications

**Project** Stanley Park High School

**Application** Atrium

**Location** Carshalton, UK

**Size** 14,330 ft<sup>2</sup> / 1330 m<sup>2</sup>

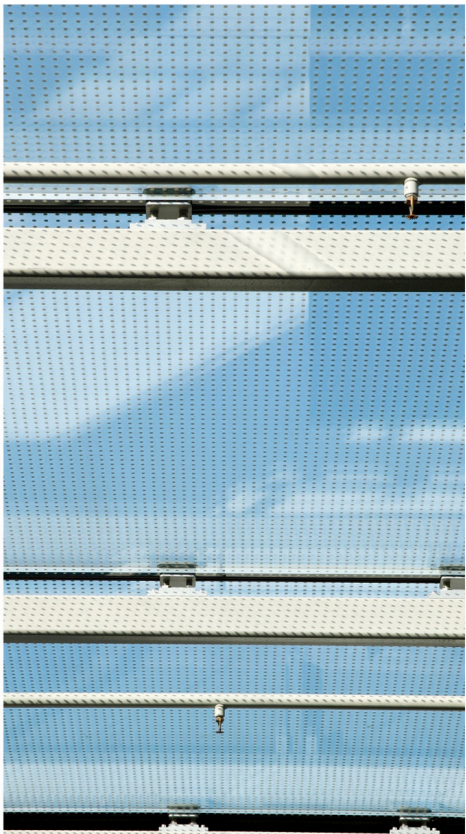
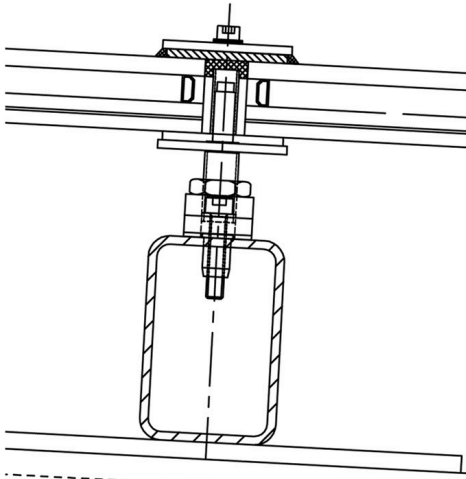
**Architect** Haverstock Associates

## Novum Systems

### Glazing

**ECG** Clear toughened, laminated and heat soak tested solar coated glass is fixed with the Edge Clamp System to the roof and facades at each end of the atrium.

**PSG** Custom stainless steel glazing arms with countersunk rotules support laminated glass with vertical steel fins to the feature entrance.



## Design Solution

Novum's glazed atrium known as the 'learning street' links the two parts of the school together through a central circulation area. In response to specific thermal requirements Novum offered a solution using Edge Clamped thermally efficient fritted glass for the roof glazing. Automatic louvred ventilation linked to the building management system allows the atrium to maintain an ambient temperature throughout the year. In order to distinguish the entrances at either end of the atrium the immediate facade utilises Novum's Point Supported Glass supported by steel fins.

